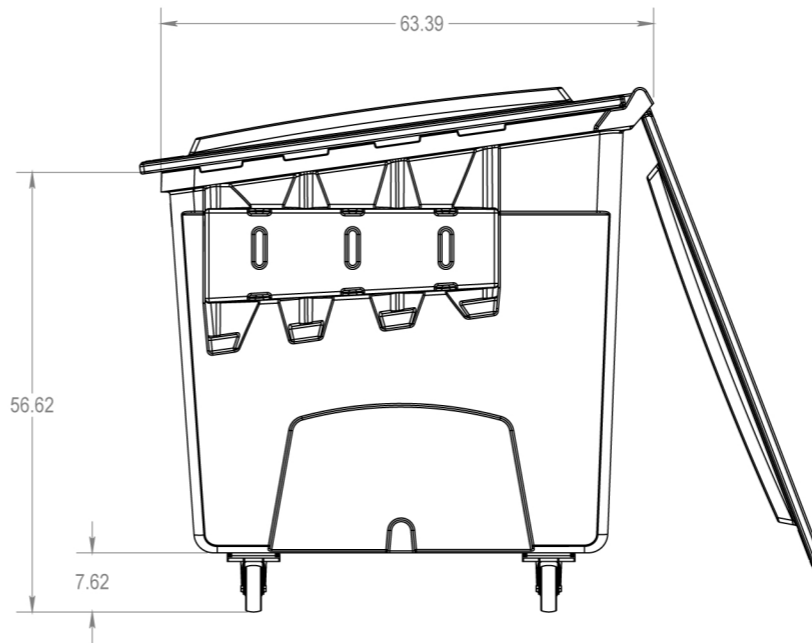
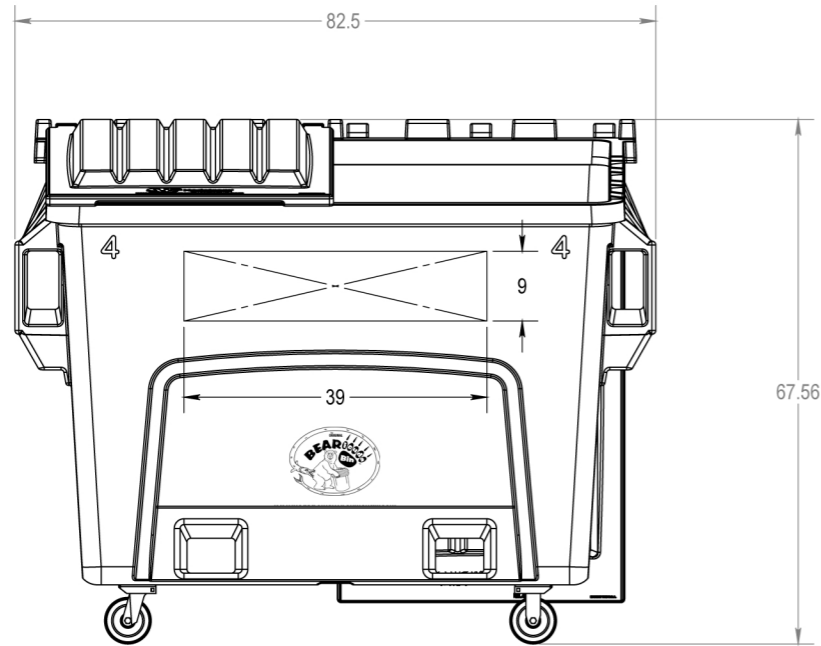
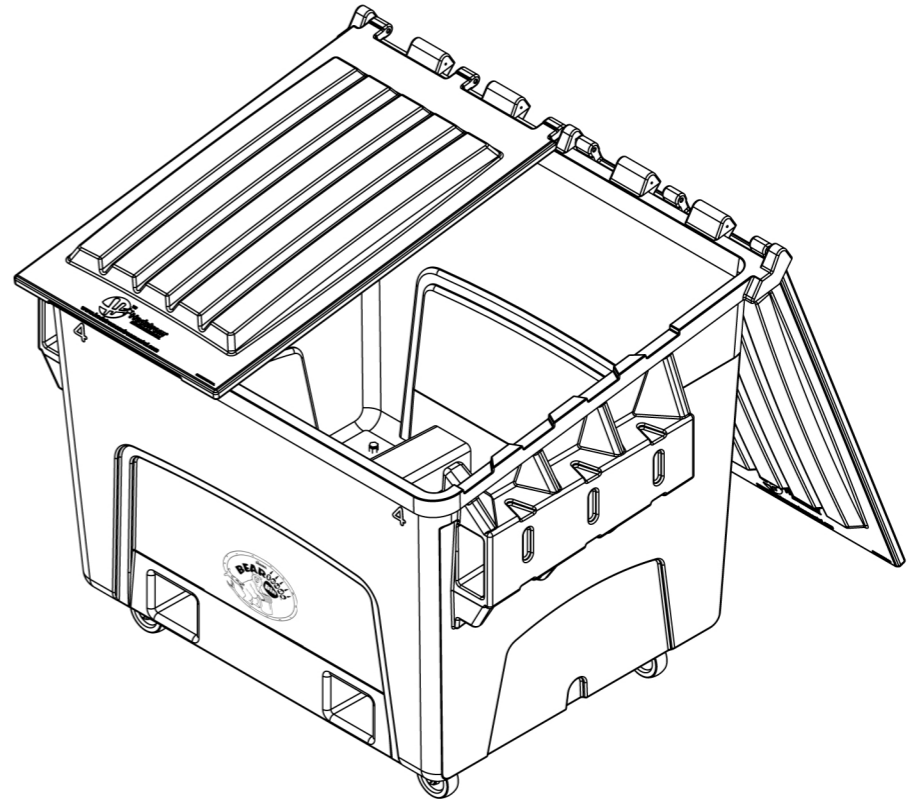
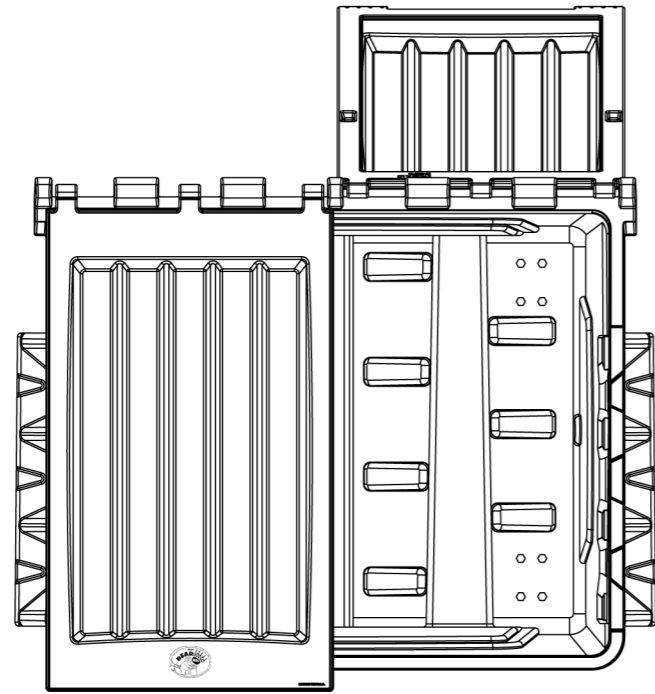


4

3

2

1



SPECS:
APPROXIMATE VOLUME 3.9 CUBIC YARDS
APPROXIMATE WEIGHT 355 LBS. (WITH CASTERS AND LIDS)
LOAD CAPACITY 3000 LBS.
TRUCK QTY. 30

PROPRIETARY AND CONFIDENTIAL
 THE INFORMATION CONTAINED IN THIS
 DRAWING IS THE SOLE PROPERTY OF
 BEARICUDA INC.

UNLESS OTHERWISE SPECIFIED:		NAME	DATE
DIMENSIONS ARE IN INCHES		DRAWN	
TOLERANCES:		CHECKED	
FRACTIONAL ±		ENG APPR.	
ANGULAR: MACH ± BEND ±		MFG APPR.	
TWO PLACE DECIMAL ±		Q.A.	
THREE PLACE DECIMAL ±		COMMENTS:	
INTERPRET GEOMETRIC TOLERANCING PER:			
MATERIAL SEE BOM			
FINISH			
NEXT ASSY	USED ON		
APPLICATION			
DO NOT SCALE DRAWING			

BEARICUDA INC.

TITLE:
89-40Q01

SIZE DWG. NO. REV
C 4 YD QD PKT-01A sales drawing A

SCALE: 1:12 WEIGHT: SHEET 1 OF 1

4

3

2

1

D

D

C

C

B

B

A

A